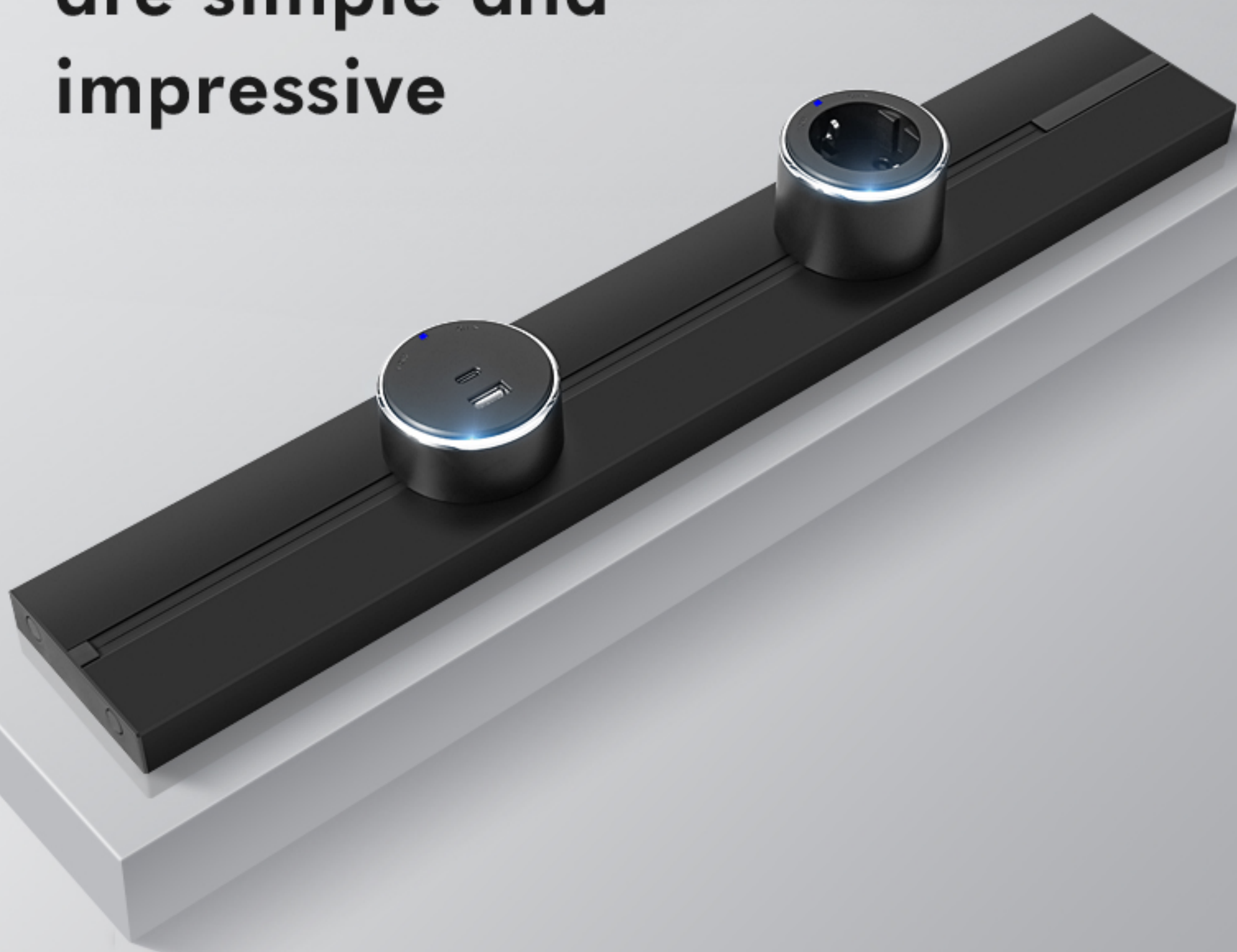


FUTINA[®]

2.0 POWER TRACK

**creating products that
are simple and
impressive**



8000W HIGH CAPACITY

can support the simultaneous use of multiple appliances



Electric cooker

800W



High speed blender

900W



Induction cooker

1400W



Microwave oven

1000W



Bread maker

500W



Oven

1200W



Juicer

1000W



Air fryer

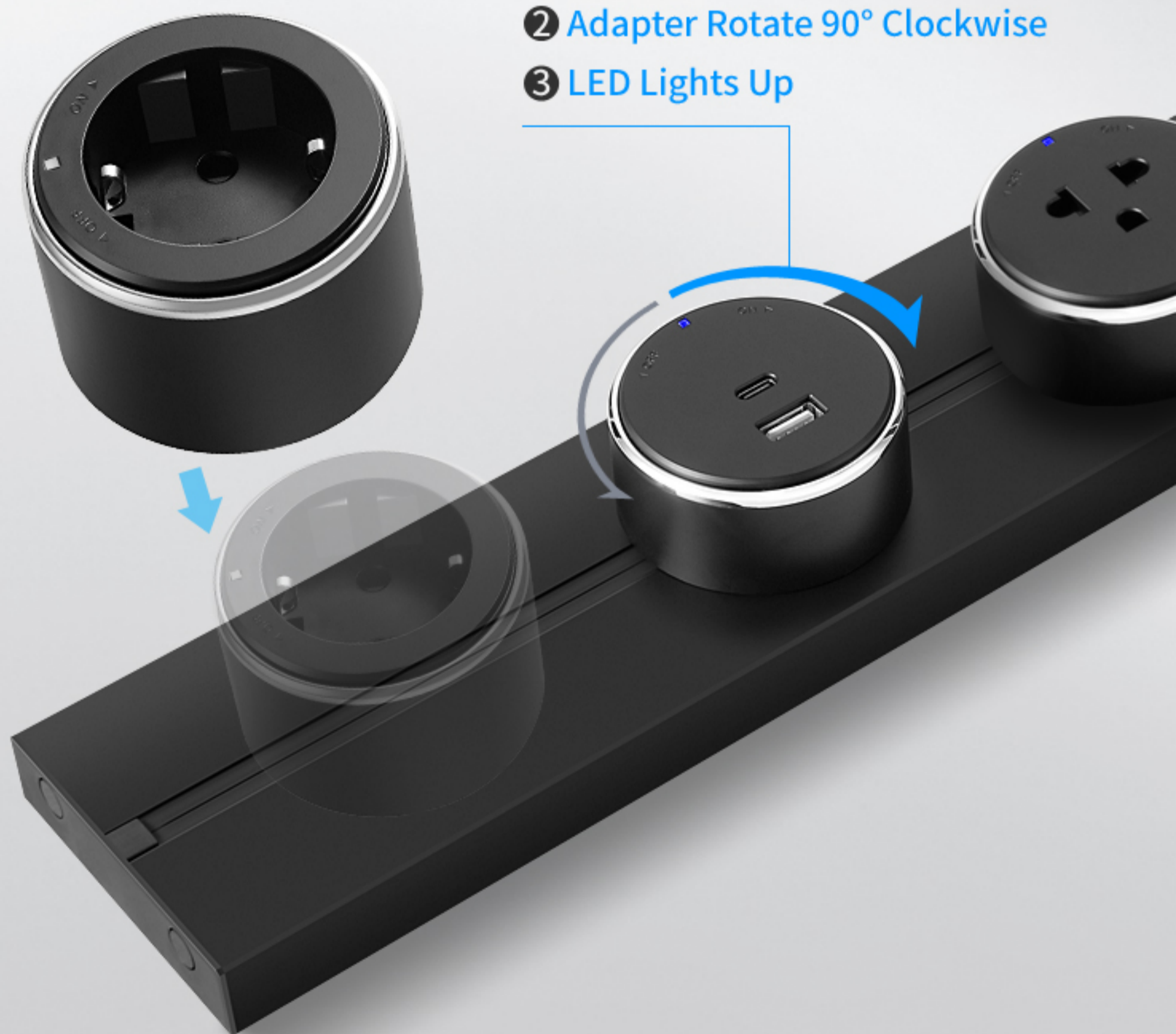
1200W



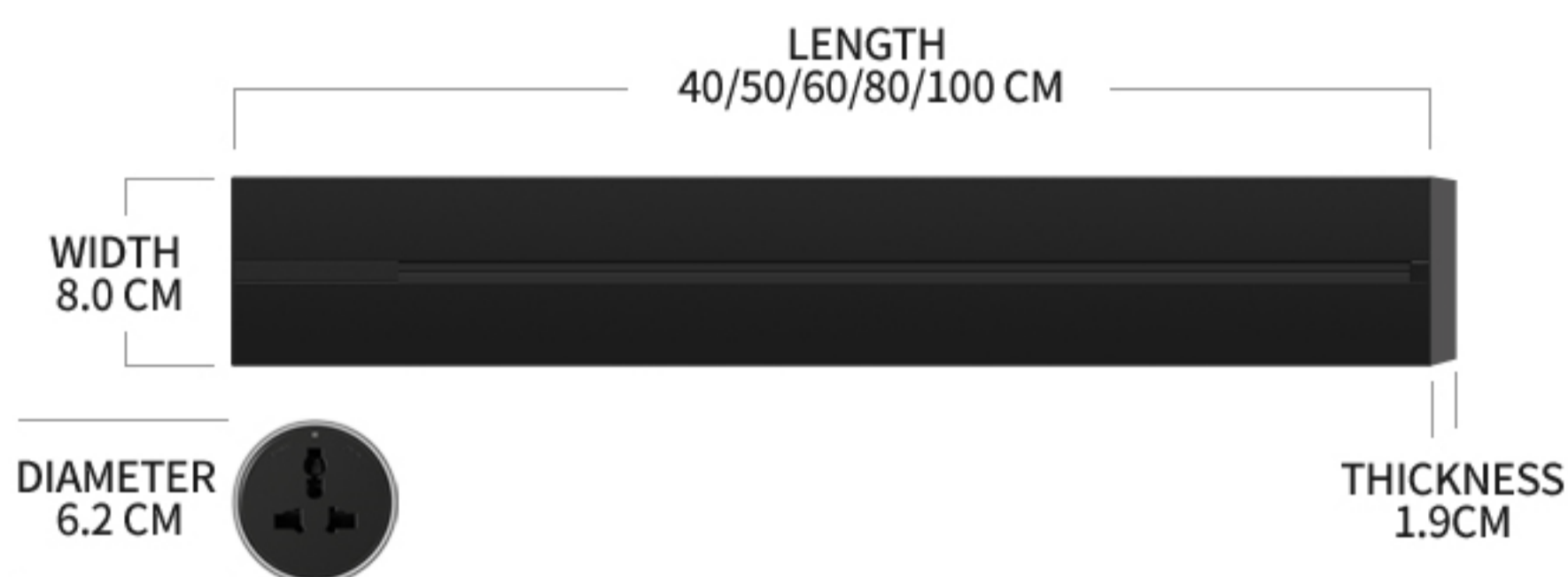
CUSTOMIZED FOR EASY AND CONVENIENT LIFE

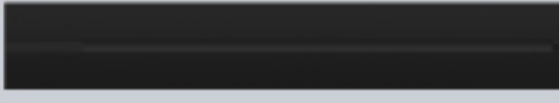
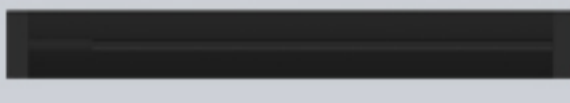
Increase or Decrease power
supply as needed

- ① Insert Adapter
- ② Adapter Rotate 90° Clockwise
- ③ LED Lights Up







PRODUCT SPECIFICATIONS



TRACK		
Product name	Surface Type	Recessed Type
Surface Texture	Matte Texture / Brush Texture	
Color	Black/Silver/Grey	
Size(mm)	80 x 19 MM	62 x 19.8 MM
Rated Current	32A	
Rated Voltage	250V~	
Rated Power	8000W MAX	

Adapters				
Product name	Universal socket	Australia socket	Euro American socket	UK socket
Size(mm)	62 x 29mm	62 x 29mm	62 x 29mm	62 x 29mm
Rated Current	16A	10A	16A	13A
Rated Voltage	250V~	250V~	250V~	250V~
Rated Power	4000W MAX	2500W MAX	4000W MAX	3250W MAX

Adapters				
Product name	French socket	Schuko socket	South American Socket	A+C 20W fast charging
Size(mm)	62.3 x 38.1mm	62.5 x 41.5mm	62 x 29mm	62 x 29mm
Rated Current	16A	16A	15A	—
Rated Voltage	250V~	250V~	250V~	—
Rated Power	4000W MAX	4000W MAX	3750W MAX	—
USB input	—	—	—	220-240VAC 50Hz 0.5A
USB output	—	—	—	PD/QC: 20W fast charging

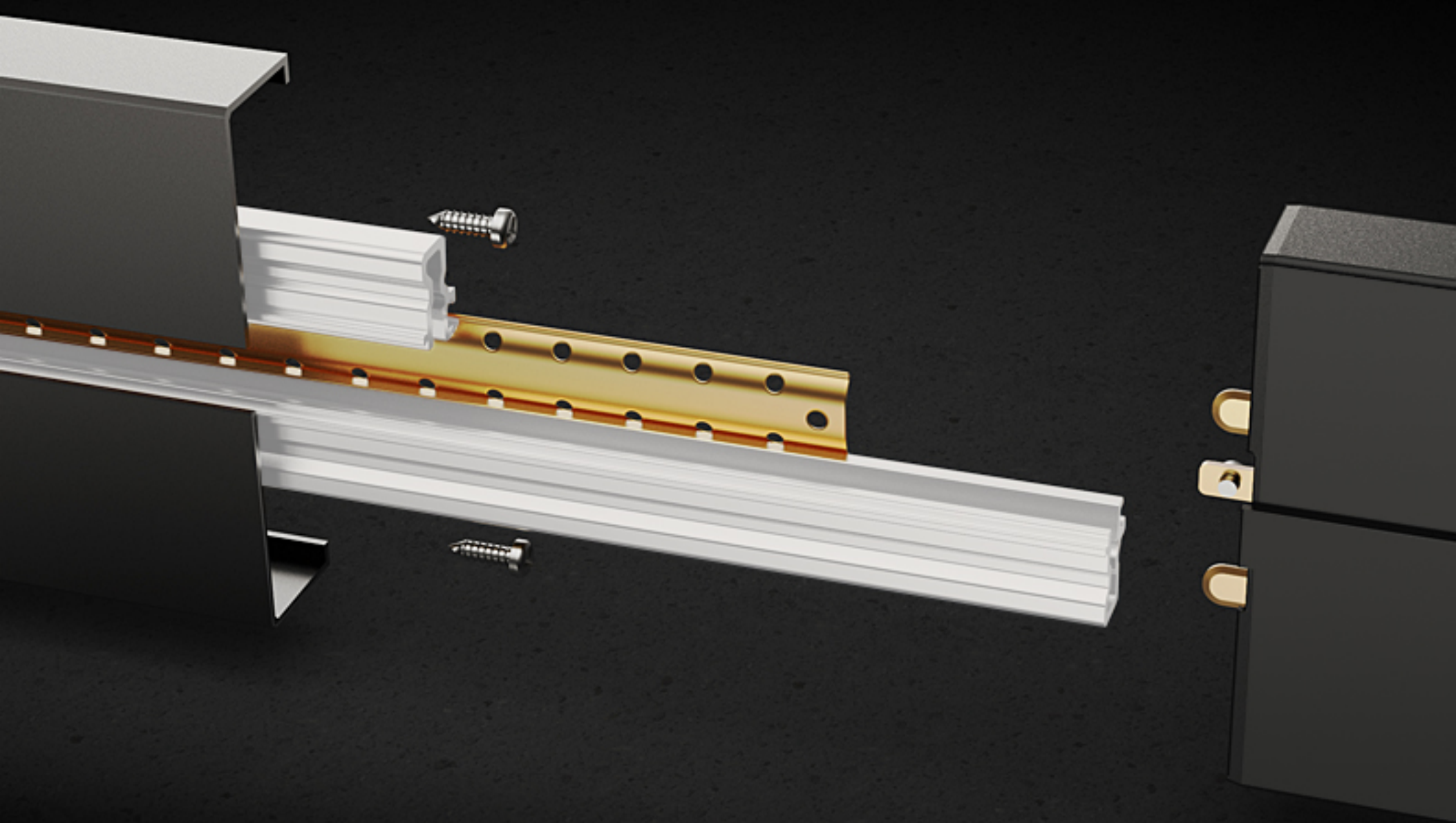
INTEGRATED HIGH STRENGTH ALUMINUM

Adopts anodic oxidation + sandblasting
processing technology, easy to clean
without leaving finger marks



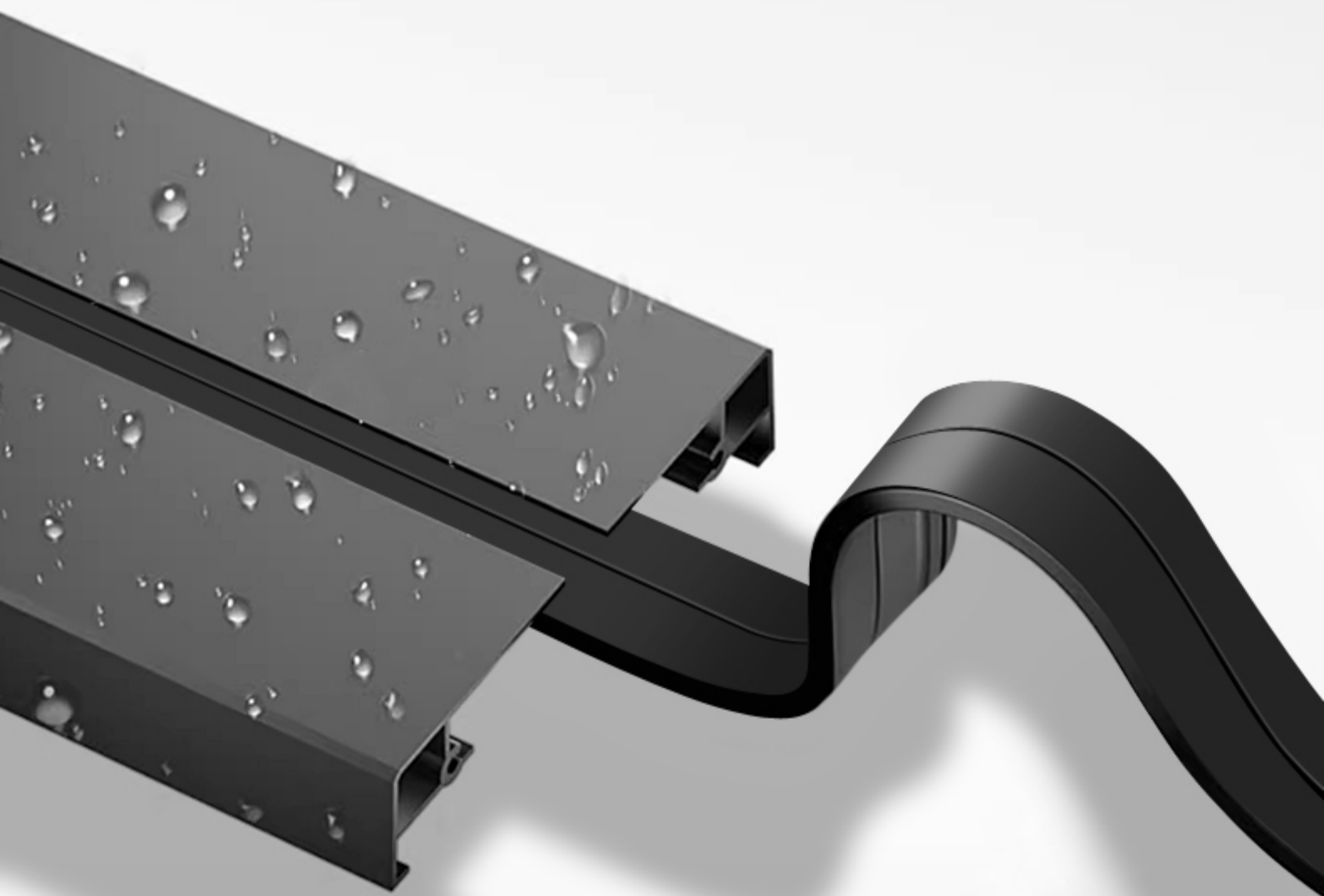
INTEGRATED BRASS BAR

Stronger conductivity, provide the long life-span warranty



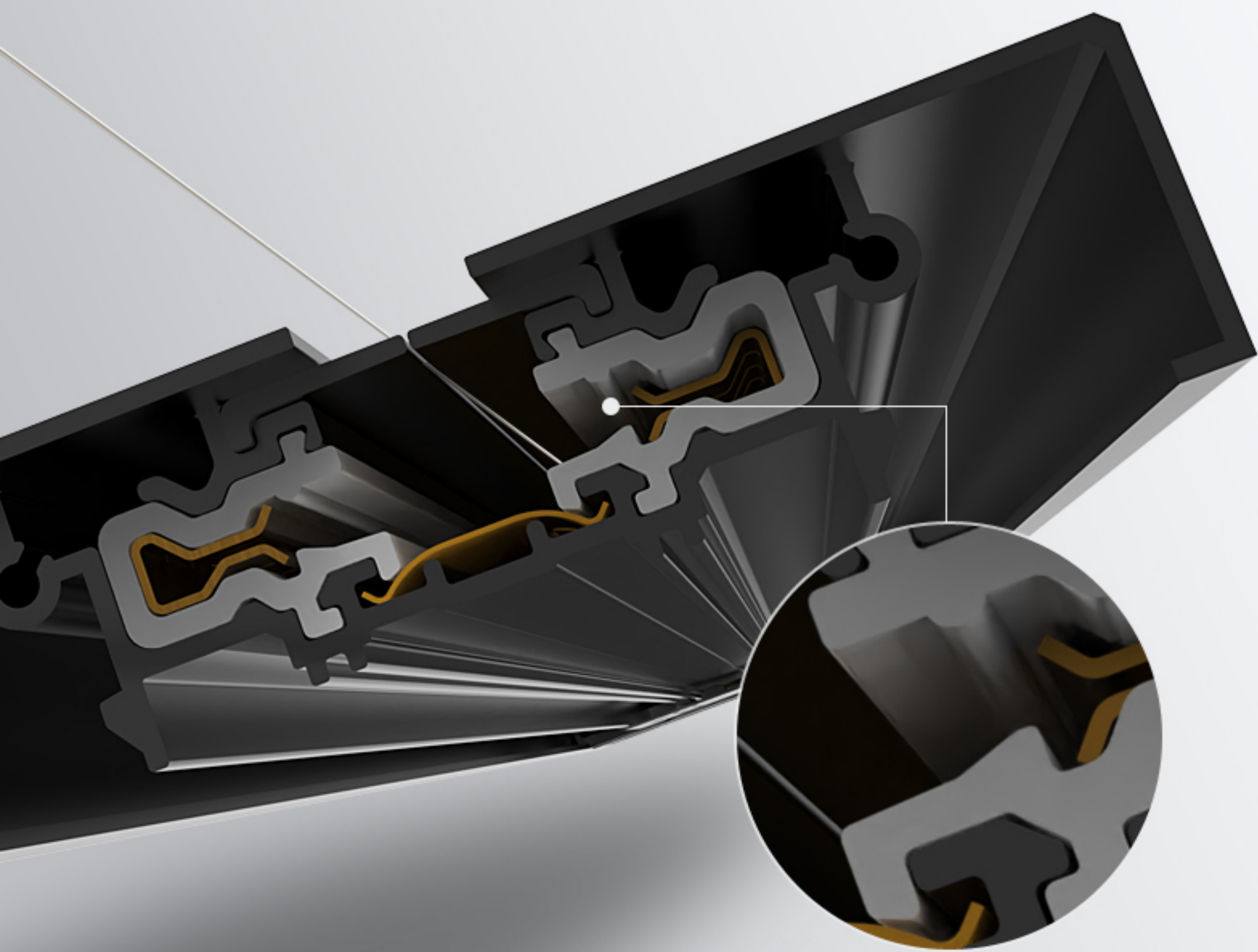
WATER-PROOF AND DUST-PROOF RUBBER TAPE

Adopts the sealed structure design can not only achieve the performance of water-proof and dust-proof, but also play the role of insulation and shock-proof, which is much more safer



SAFE DESIGN ON THE TRACK'S STRUCTURE

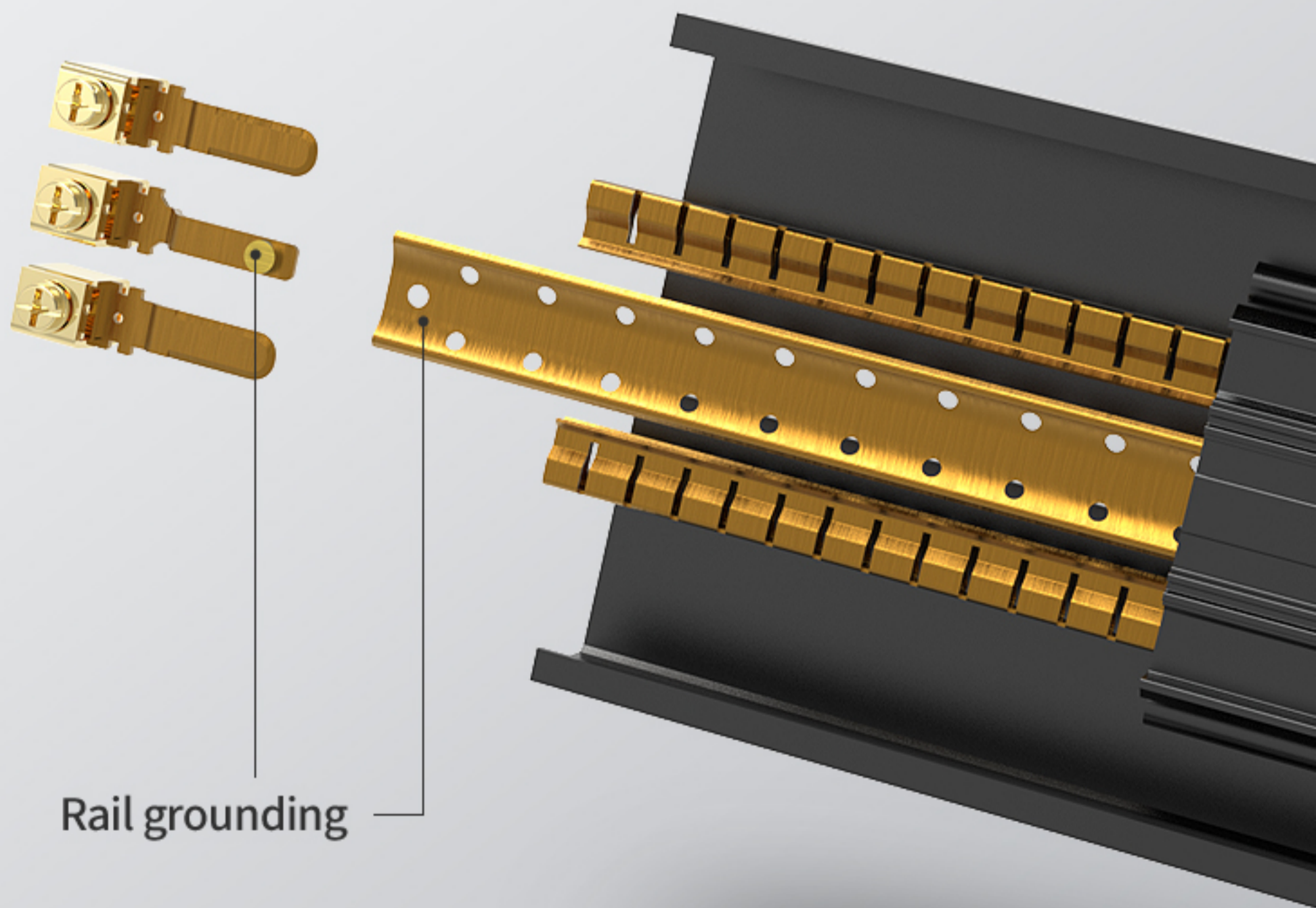
The internal structure of the track is much more reasonable and safer, the live parts are effectively isolated, and the live parts cannot be contacted by the 1mm probe test, so the electricity safety is guaranteed



Can not contact L/N line

ADD THE EARTH PROTECTION ON THE TRACK

The earth connection is fixed with rivets, it effectively provides the earth protection and prevents the user's safety and equipment safety endangering from the electrical insulation damage or metal shell with live



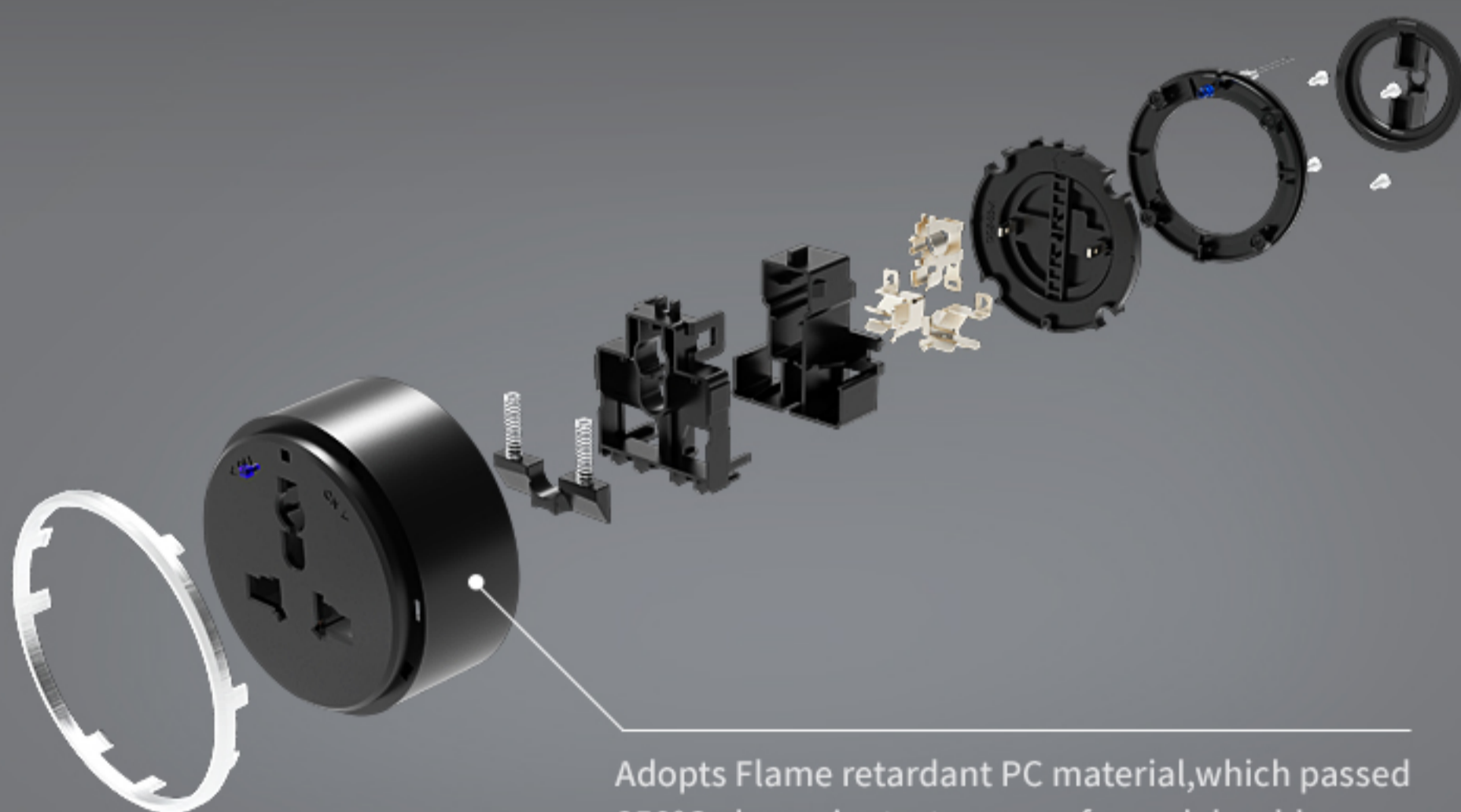
CHILD SAFETY LOCK

With shutter design, it is to prevent the children from accidentally touching it

Why can't I stick my finger in the socket?



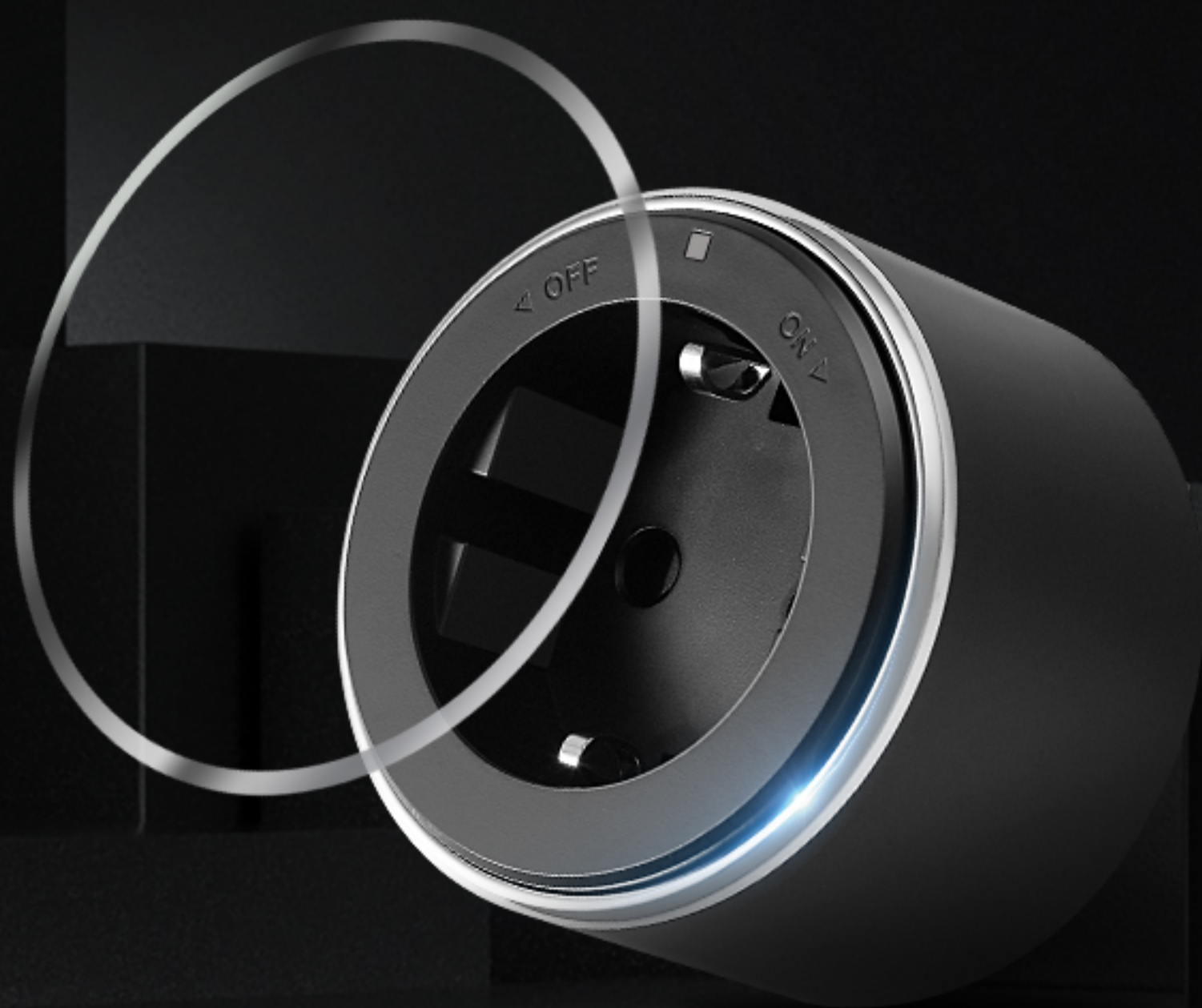
HIGH QUALITY MATERIAL USED ON THE ADAPTOR



Adopts Flame retardant PC material,which passed 850°C glow-wire test,more safer and durable.

PLATING RING DESIGN

Exquisite design with the decorative ring embellishment ,
Luxury and beauty



Multi-color decorative ring can be optioned:



Electroplating
Gold



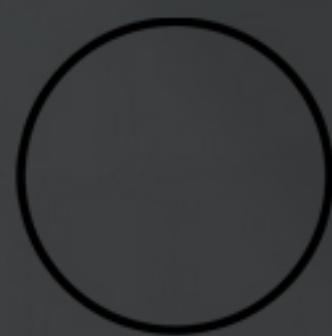
Electroplating
Chrome



Electroplating
Silver



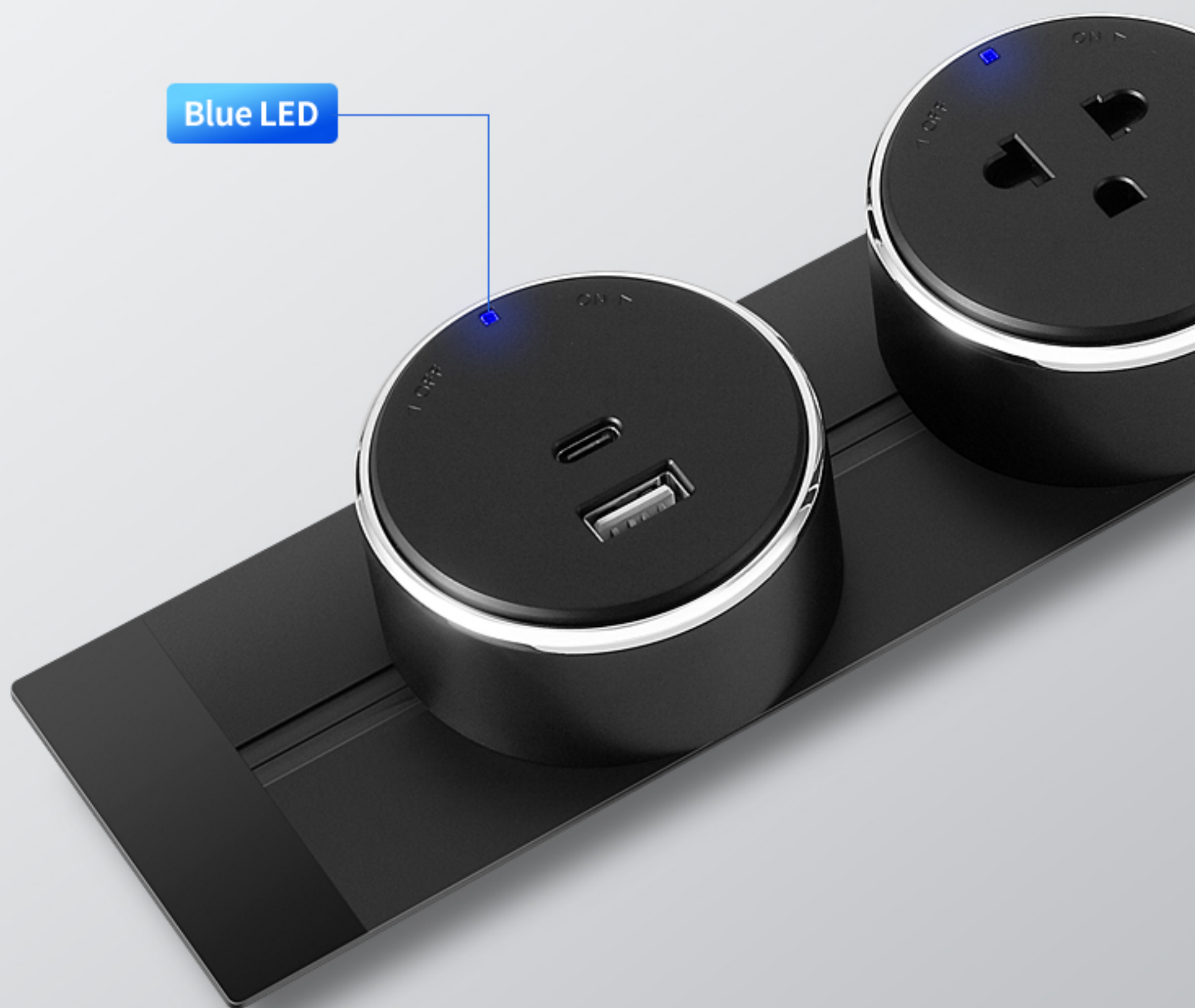
Spray-painted
Silver



Spray-painted
Black

LED BLUE INDICATOR LIGHT DESIGN

guiding you the direction in the dark-night without dazzling



APPLICATION SCENARIOS





